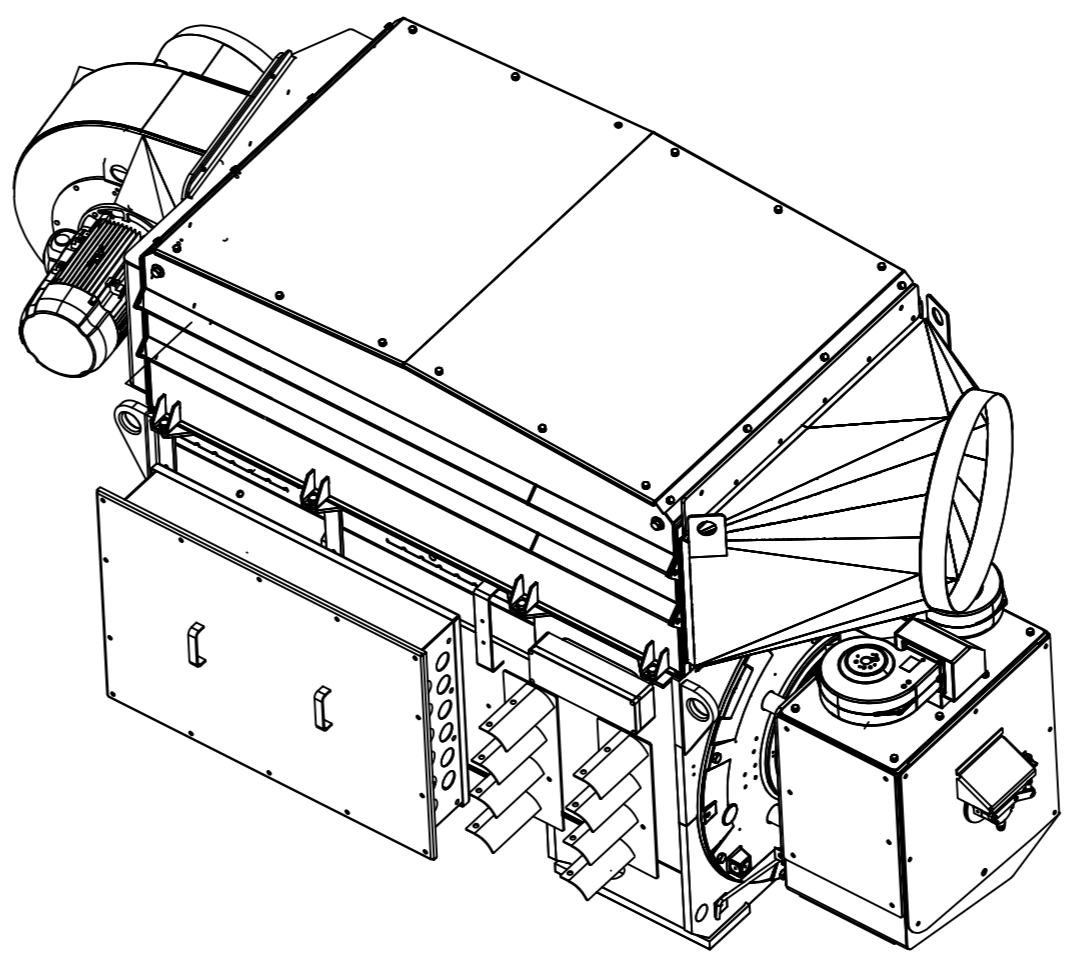
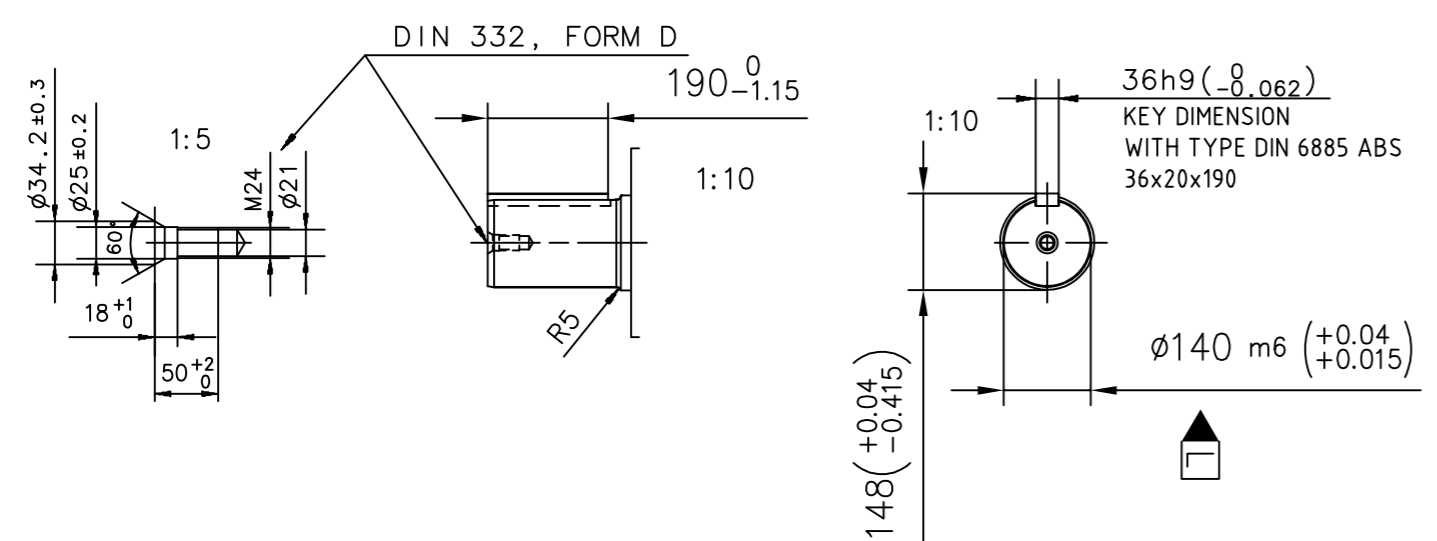
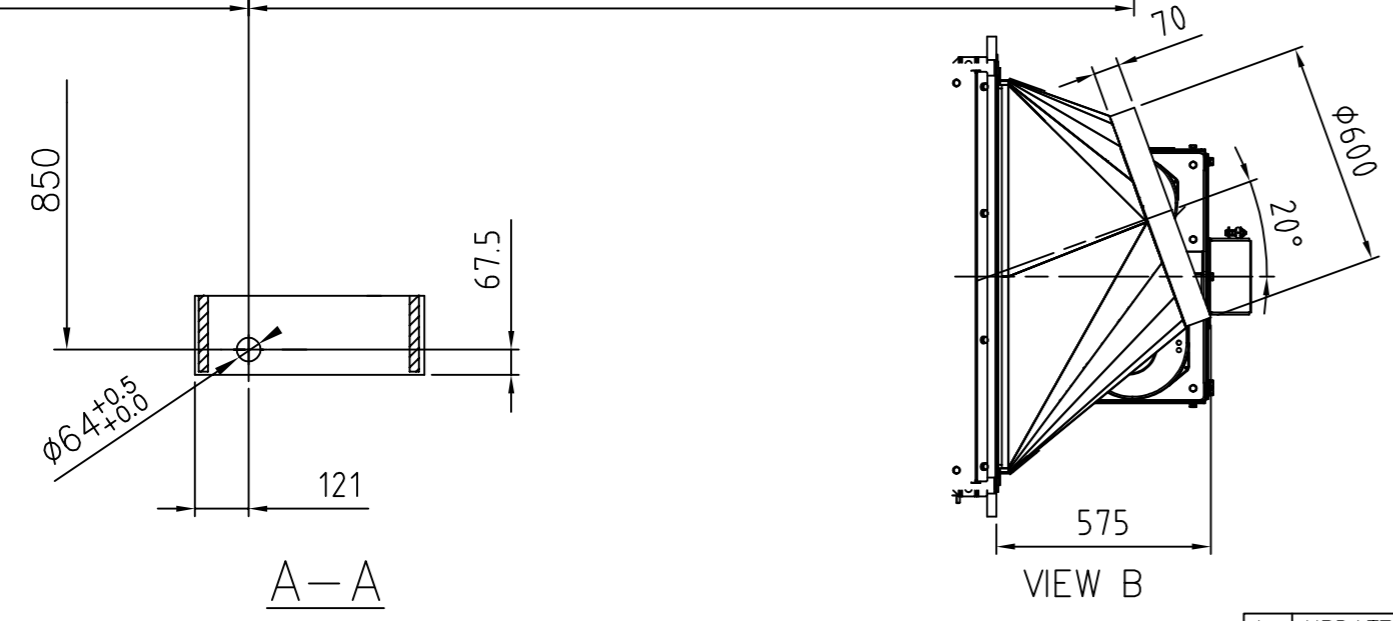
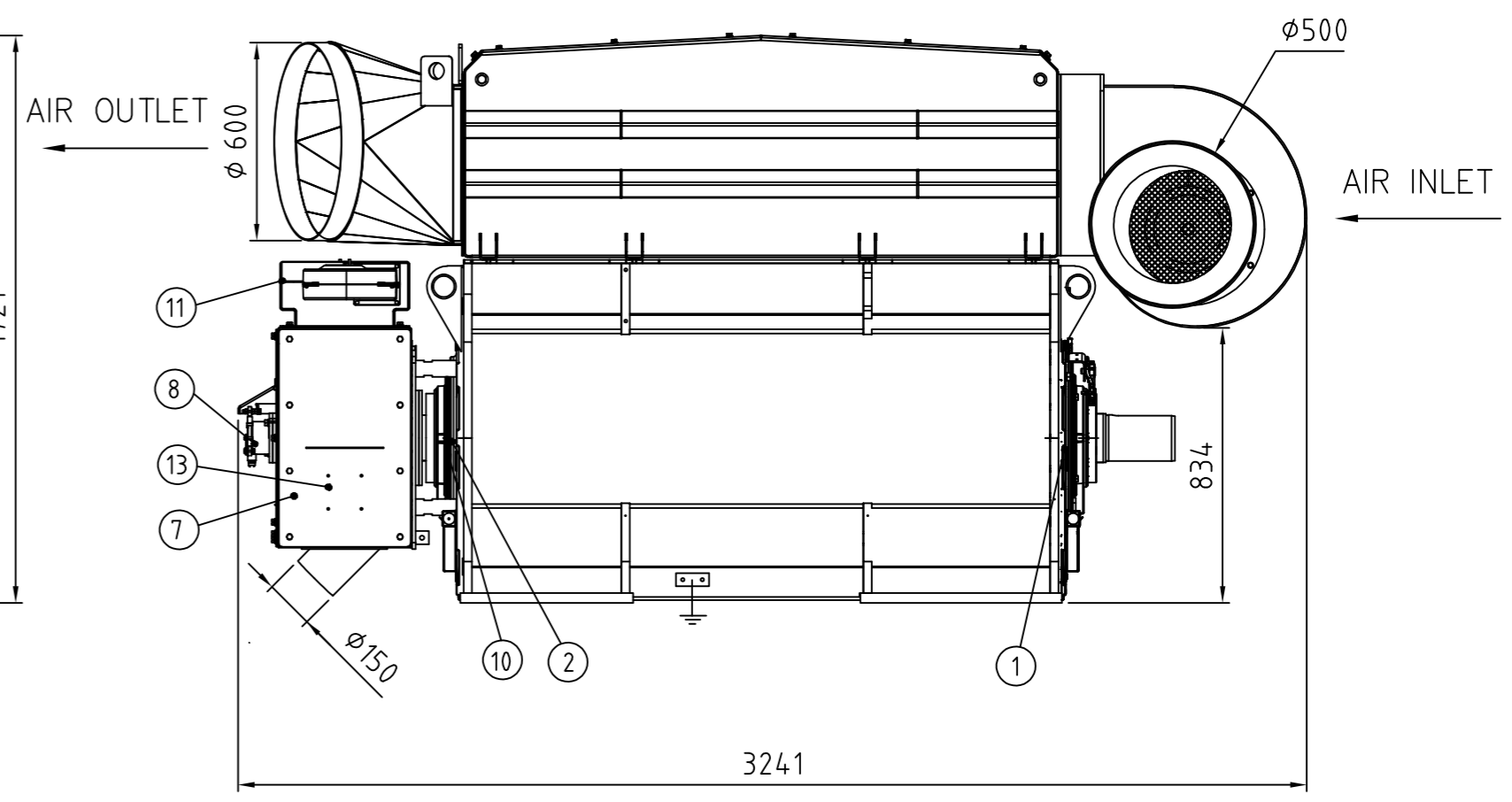
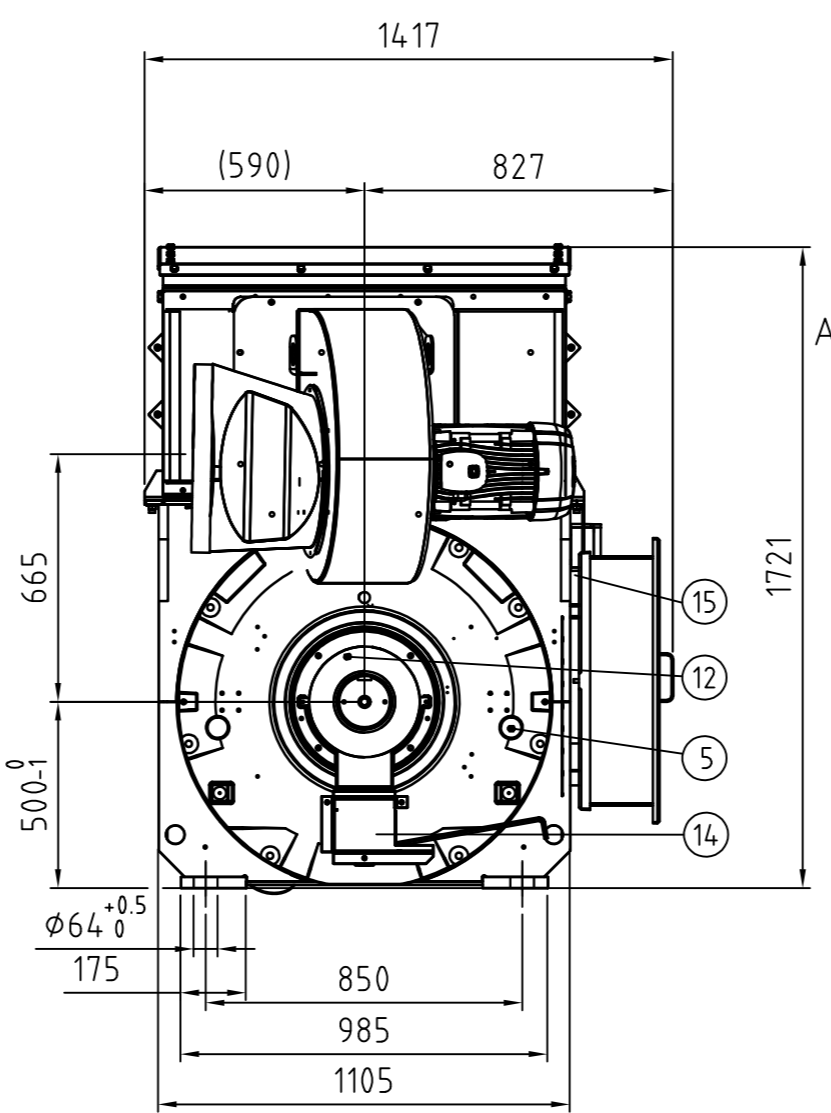
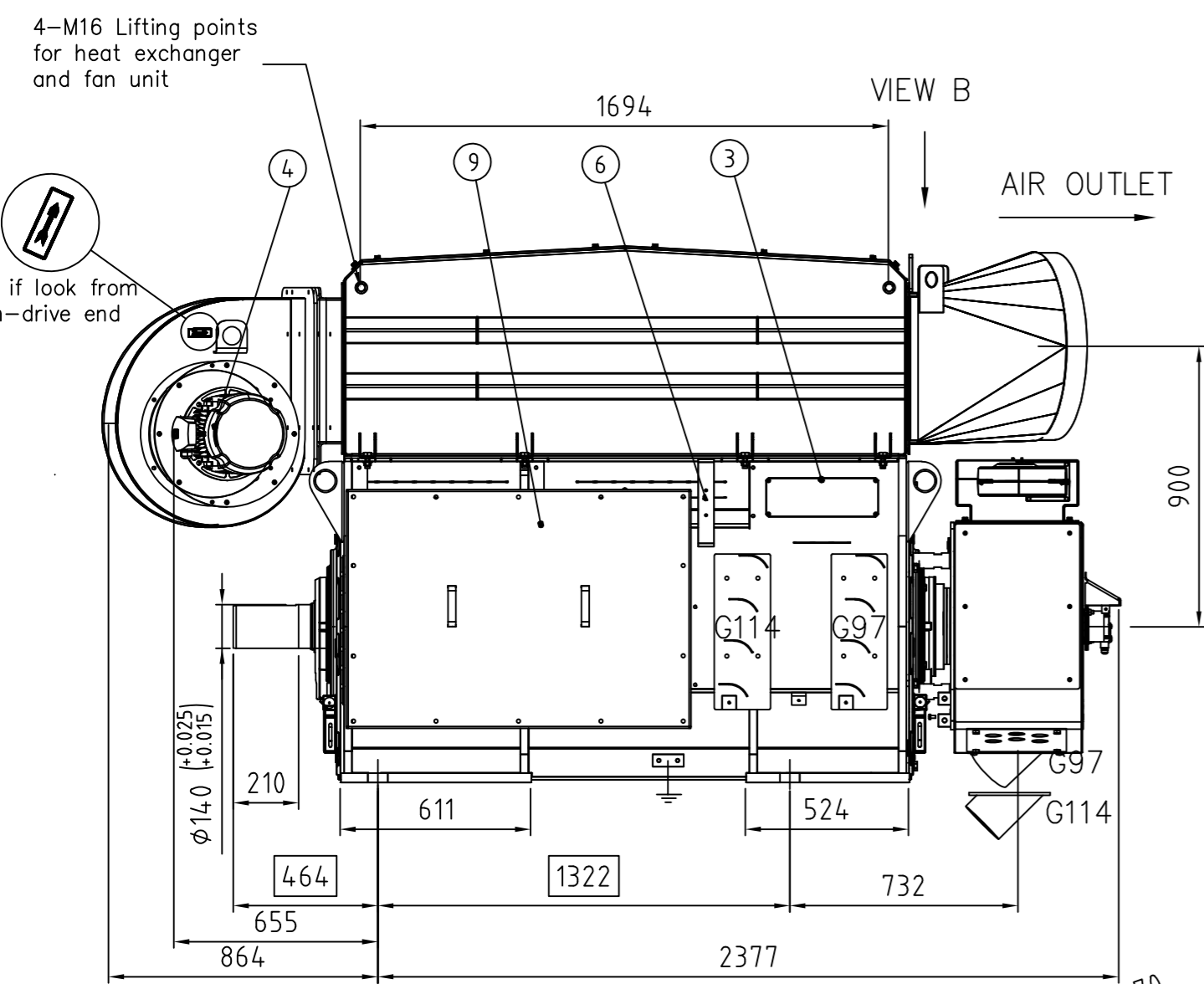


We reserve all rights in this document and in the information contained herein. No part of this document may be reproduced, stored in a retrieval system, or transmitted in any form or by any means, electronic, mechanical, photocopying, recording, or by any information storage and retrieval system, without the prior written permission of ABB ELECTRICAL MACHINES LTD.
 Symbols for roughness according to ISO 1302, 9A DA 431
 General tolerances for linear and angular dimensions and geometrical tolerances: ISO 2768 -mK Referential standards 9A DA 422, DIN 7168T.1



1	DE-LOCKING BEARING	6330M/C3
2	NDE-FREE BEARING	6330M/C3
3	TERMINAL BOX FOR ACCESSORIES	
4	FAN UNIT	690V 50Hz 7.4KW
5	PROVISION FOR VIBRATION SENSOR DE AND NDE M8	
6	RATING AND LUBRICATION PLATE	
7	BOX FOR SRU AND ROTOR	
8	TACHOMETER	2048 PULSE
9	TERMINAL BOX FOR STATOR	
10	PT-100 FOR BEARING (1PCS FOR EACH END)	
11	CENTERFUGAL FAN FOR SRU	230V, 2x280W=560W
12	EARTHING BRUSH	
13	SPACE HEATER FOR SRU	230V 240W
14	WASTE GREASE BOX DE AND NDE	
15	GREASING NIPPLE DE AND NDE	



DIRECTION OF ROTATION IS VIEWED FROM D-END.
 DURING THE INITIAL MOUNTING PLACE 2 mm SHIMS UNDER THE FEET OF THE GENERATOR. THE CUSTOMER IS RESPONSIBLE FOR THE DESIGN AND CONSTRUCTION OF THE FOUNDATION IT SHALL BE SUFFICIENTLY RIGID TO WITHSTAND SHORT CIRCUIT FORCES. TO AVOID RESONANCE VIBRATIONS THE FOUNDATION SHALL BE DESIGNED SO THAT THE NATURAL FREQUENCY OF FOUNDATION TOGETHER WITH MACHINE IS NOT WITHIN ±20% OF RUNNING SPEED FREQUENCY.

Customer Reference	Gamesa Type C	Our Reference	IP54/23	IC616
Additional Information	2170 kW, 690V, 50Hz			Poles 4
Prepared	2016-03-21 YONG YOU	Title	ASYNCHRONOUS GENERATOR FOR G97 AND G114	
Reviewed	2016-03-21 LUCIEN LV	Responsible Department	DMMG	Scale 1:20
Approved	2016-03-21 TIM FANG	Original Dwg	3AFP5225643	Language en
Distribution	14	Functional Code	AH	Weight Type
		Order No.		AMK 500L4A BATY
		Revision		Sheet 1/1
		Document No.	3GYB3837020	Revision Sheet

L	UPDATE SHAFT TOLERANCE.	2020-02-28	ZIV	JASON	JASON
Rev	Change	Date	Prep.	Rev.	Appr.